

# ALL PURPOSE BACKSTOP

ITEM # - 1071435 - ALL PURPOSE BACKSTOP

**1) UPRIGHT -**

Constructed of 3.5" outside diameter x .095" wall x 288.0" L Galv. Tube.

**2) FINISH -**

Pre-Galvanized

**3) HARDWARE -**

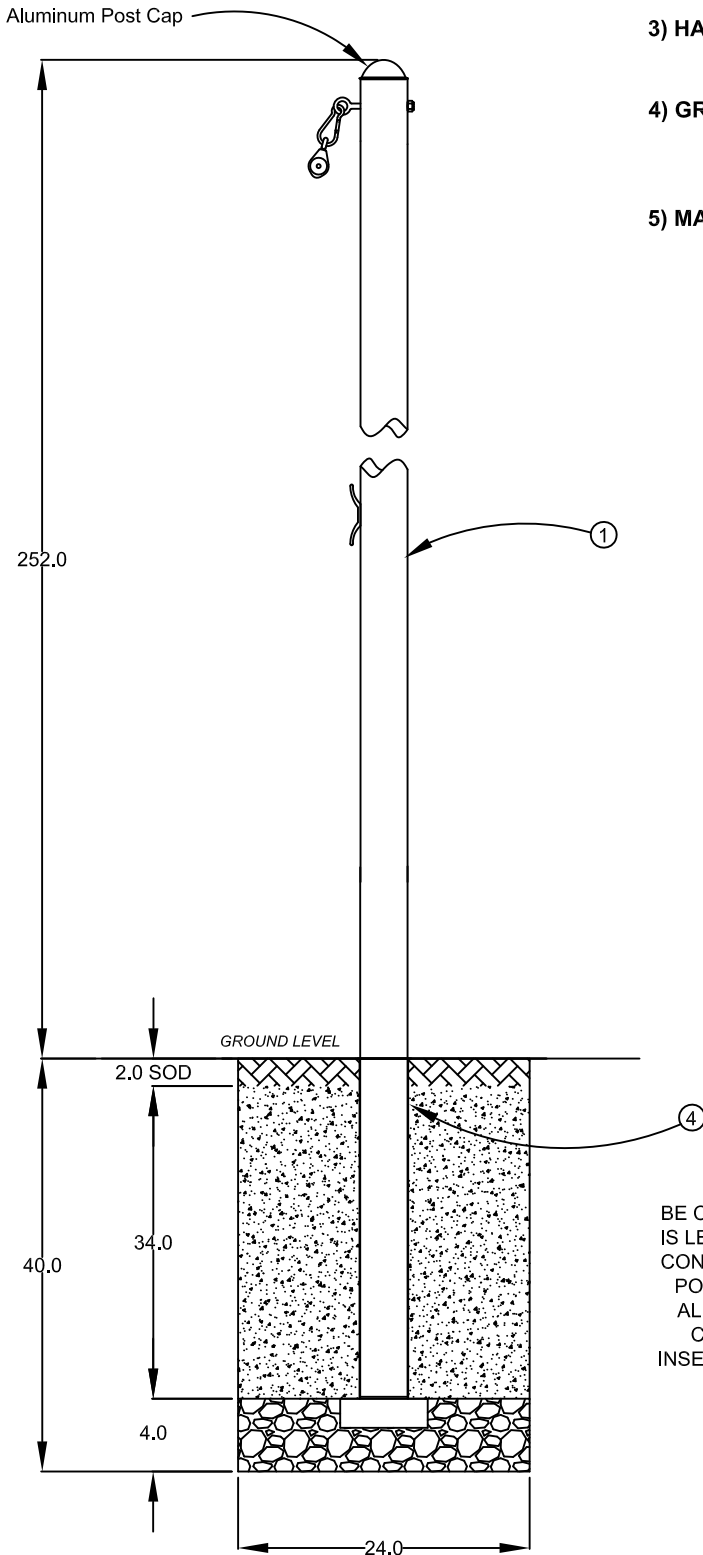
Zinc Plated Grade2

**4) GROUND SLEEVES -**

Constructed of 4.0" x .188 wall x 36" steel tubing with cap.  
Hot dip galvanized finish.

**5) MAIN NET -**

21 ft. H. x 65 ft. L. 1.75" mesh 3mm braided, knotless, HTPP #420 black.



<b>TOLERANCE</b> .X = ±.030 .XX = ±.010 .XXX = ±.005 FRACTIONAL = ± 1/32 UNLESS OTHERWISE NOTED		<b>BSN SPORTS</b> 1901 Diplomat Drive Farmers Branch, Texas 75234	
DRAWN CHECKED APPROVED	Z. OSORIO	10/10	
REV B	DATE 2/15	TITLE ALL PURPOSE BACKSTOP SYSTEM	
REF:	SCALE: NTS	NUMBER 1071435	